

Technology Transfer

Area of Technology: Mechanical Engineering

Title of the Innovation: SMART VEGETABLE CUTTER

Patent Grant Number: 359133

Brief About Innovation

In the present scenario, the vegetables available in the market are laced with different types of agrochemicals such as pesticides, insecticides, fungicides etc. People are aware of these agrochemicals but because of lack of time they do not focus to clean such chemicals which are really harmful for their health. People are increasingly becoming concerned about these harmful chemicals present in a worryingly high dose. It is a real problem that lies all over the world and must be solved. Therefore, there is a need to design such a device which automatically works and solves this problem. To eliminate these chemicals the first step is to clean the vegetables with warm water before cutting and cooking them which makes vegetables safe for consumption. All the cutters which are present in the market are not concerned about the cleaning of the vegetables and even these cutters do not provide the option of cutting through a system.

Salient Features:

- The present invention discloses a smart vegetable cutter that works vegetable cutter that works as a cleaner, peeler and a cutter separately as per requirement of the user and the vegetable.
- This machine consists of a narrow feeder which is attached to a motorized blade cutter arrangement. This blade is contained in a circular transparent vessel to collect cut vegetables.
- This machine allows for 2 speeds of motor for desired cutting results. Low speed leads to larger pieces and high-speed leads to smaller pieces. This system consists of a narrow feed pipe used to insert vegetables.
- According to the present invention, the smart vegetable cutter works in the manner such that, initially it cleans the agrochemicals and other germs from the vegetables, followed by peeling of vegetables (if required) and finally cutting of vegetables in slices as required.

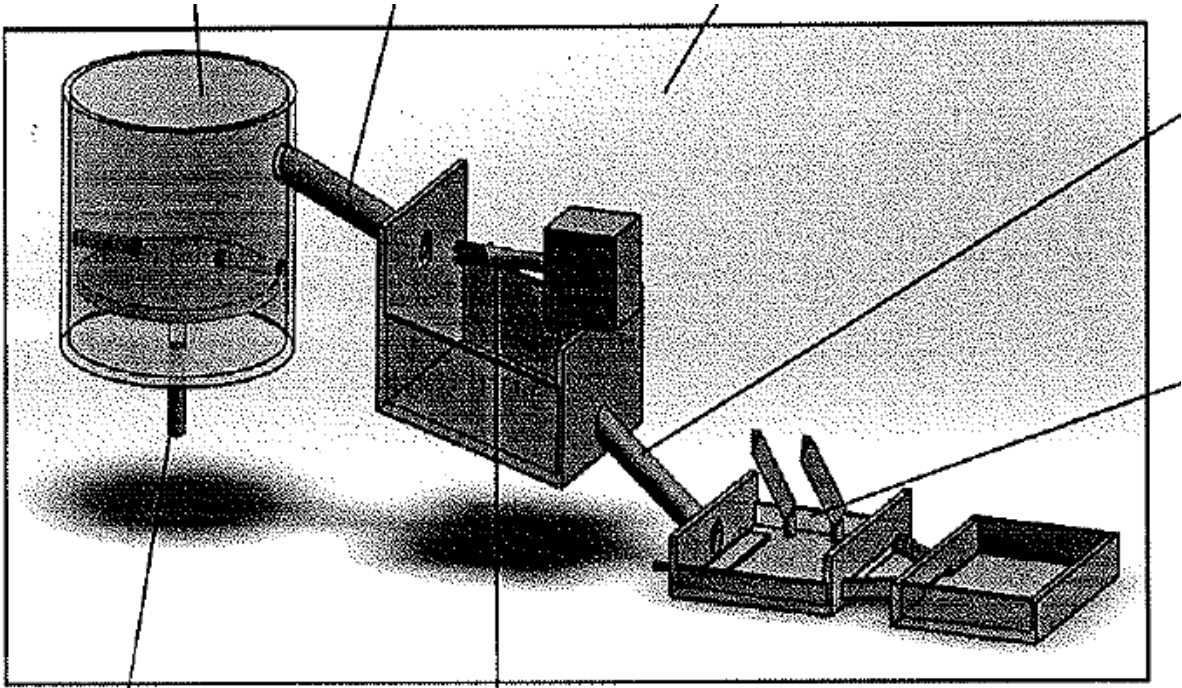


Fig. SMART VEGETABLE CUTTER